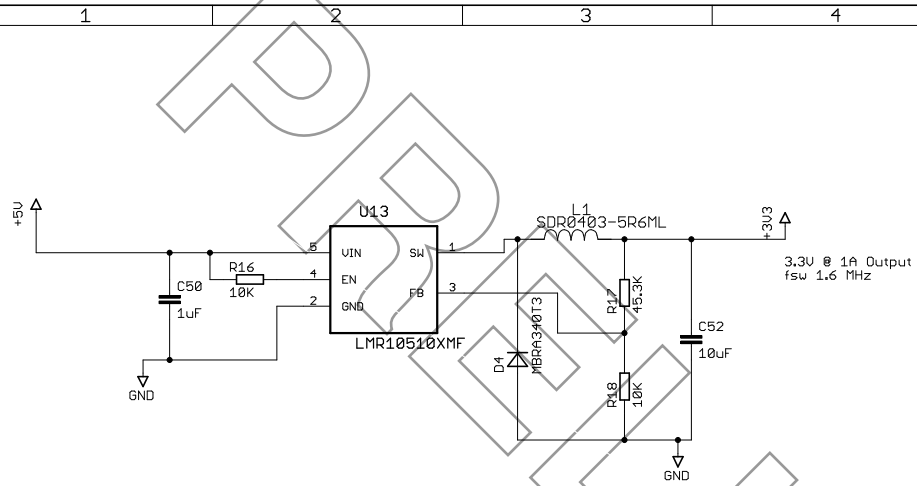


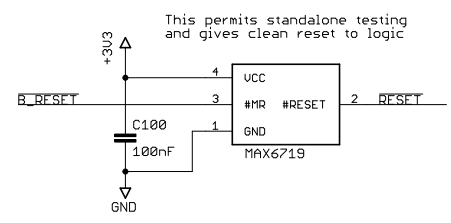
Clocks JTAG and ...

Hermes_development	
09/03/2016 00:09	
Sheet: 2/7	



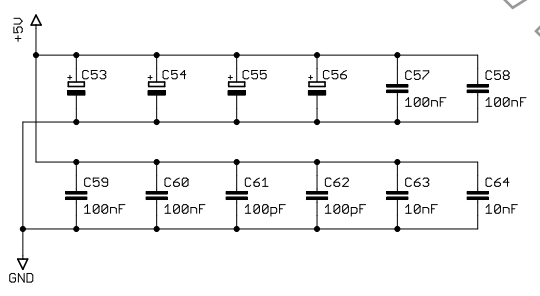
3.3V @ 1A Output
fsw 1.6 MHz

According to Weibench, at Iout 0.3A, efficiency 93%
According to Weibench, at Iout 0.5A, efficiency 92.8%



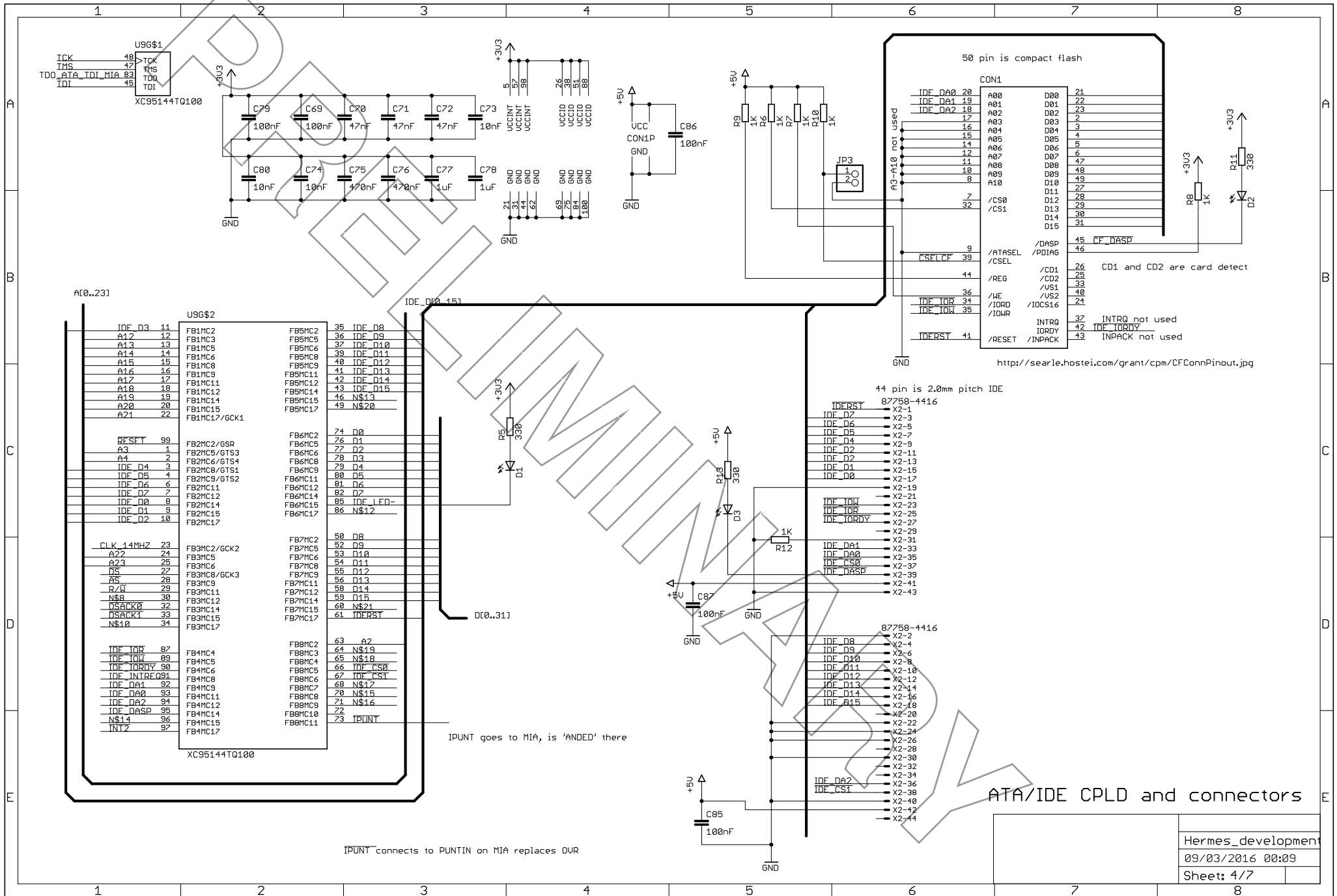
This permits standalone testing
and gives clean reset to logic

+5V Bulk and HF decoupling



Voltage regulators

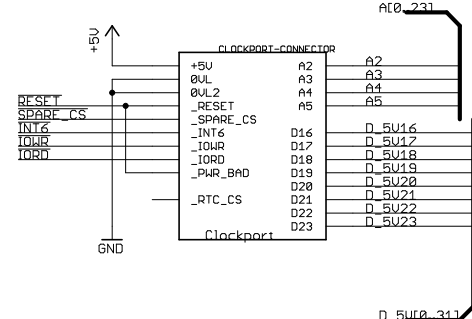
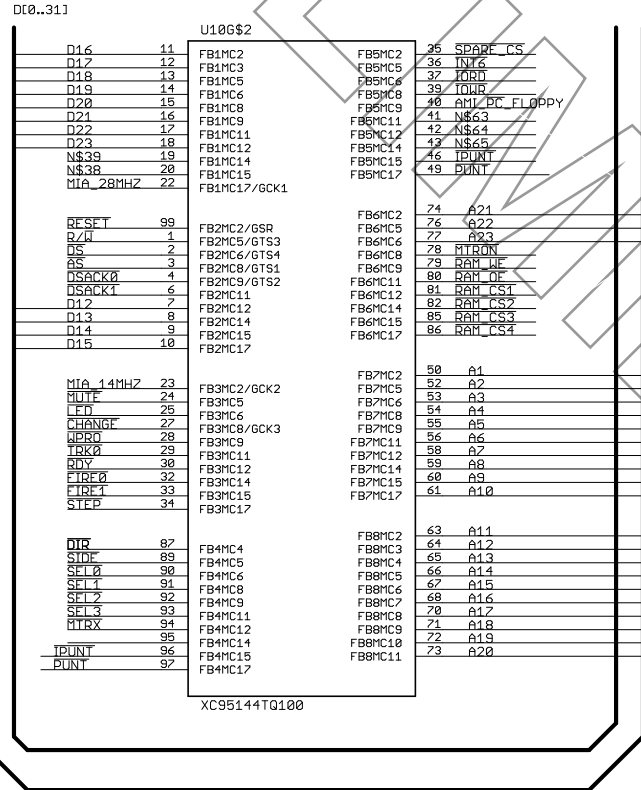
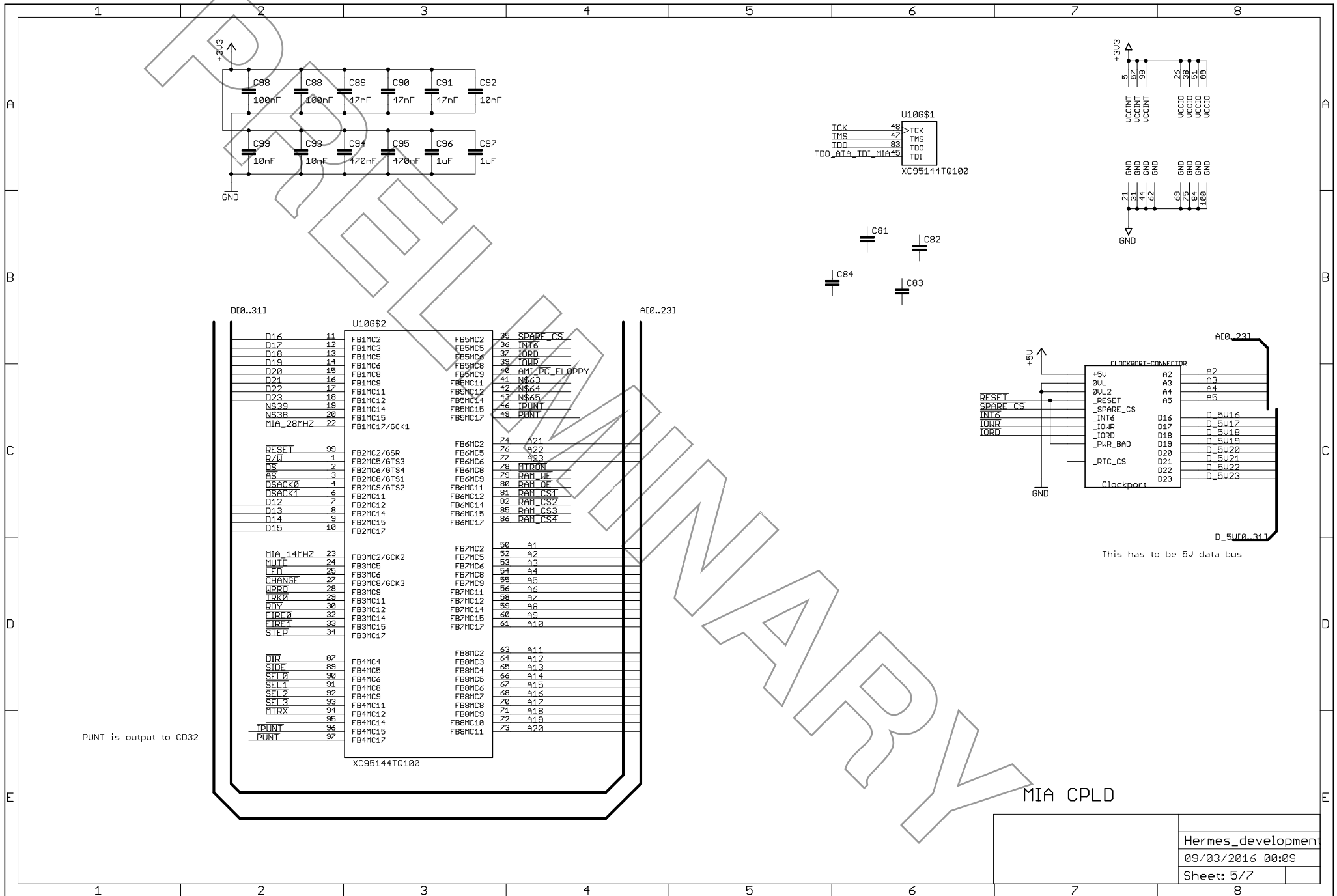
Hermes_development	
09/03/2016 00:09	
Sheet: 3/7	

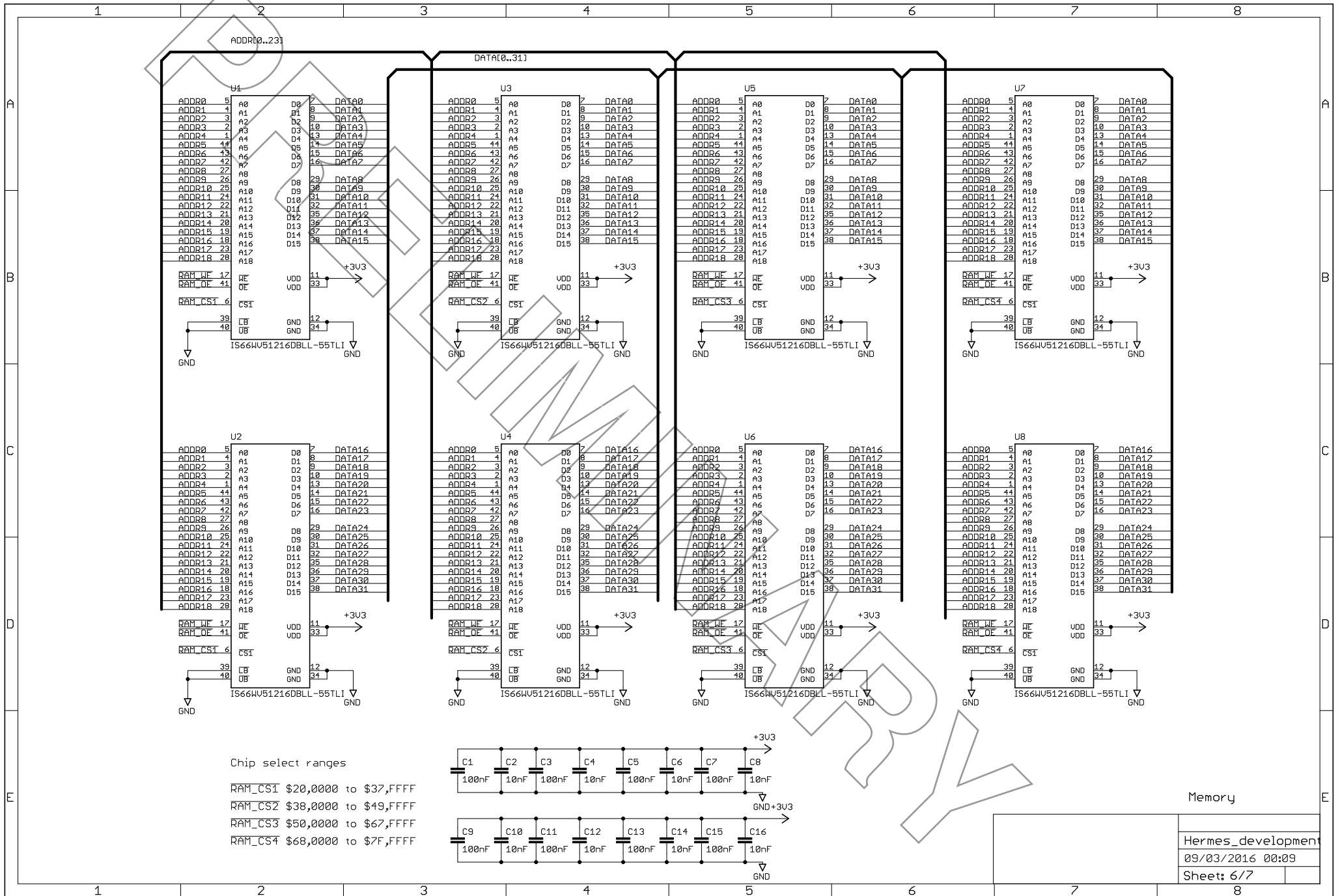


ATA/IDE CPLD and connectors

IPUNT connects to PUNTIN on MIA replaces OUR

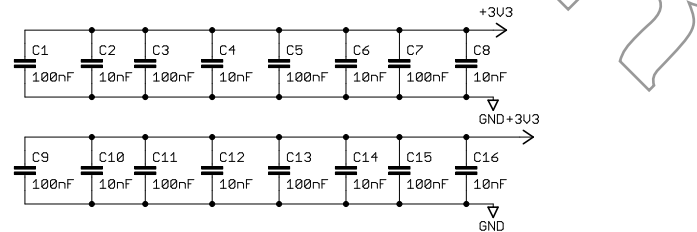
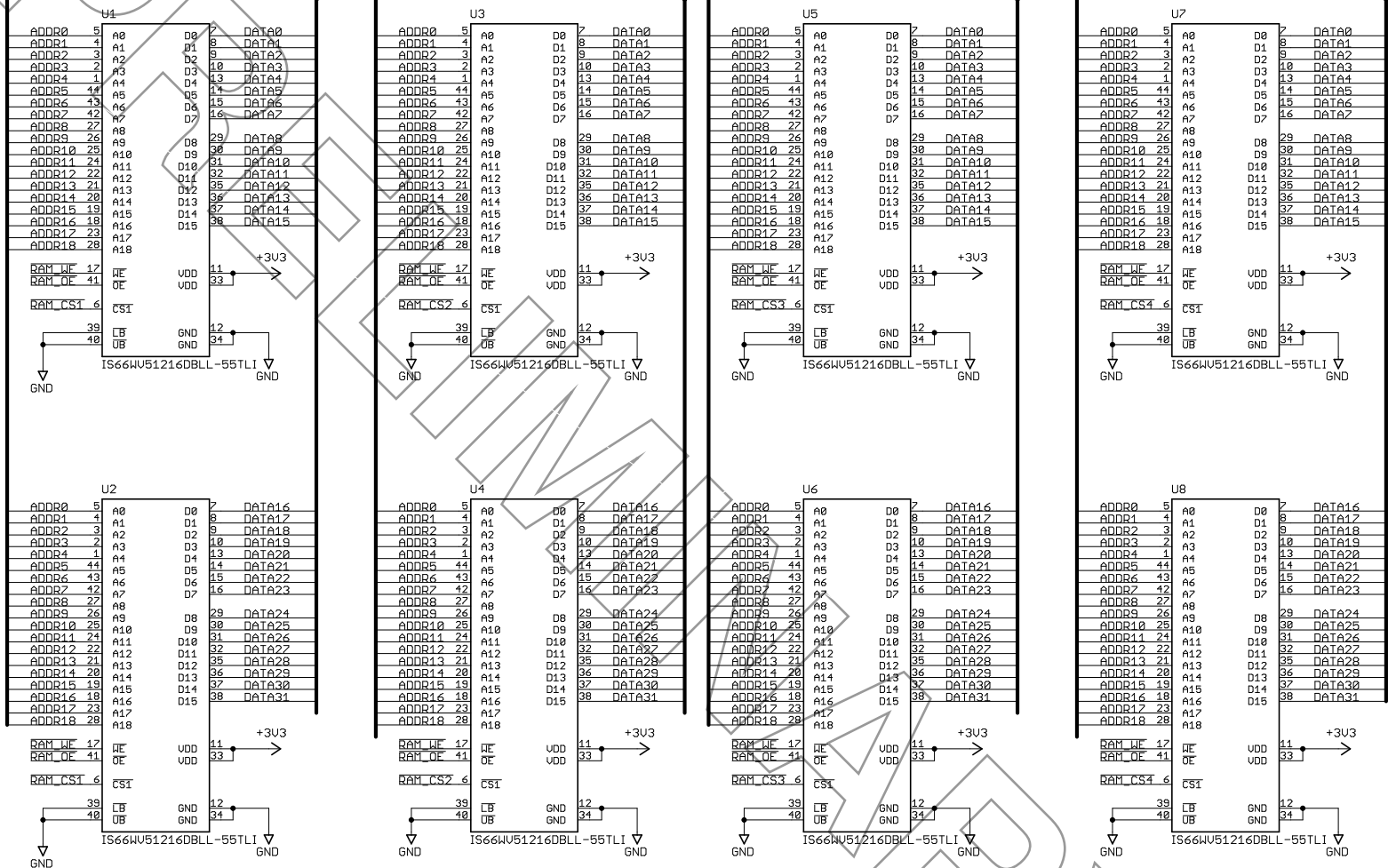
IPUNT goes to MIA, is 'ANDED' there





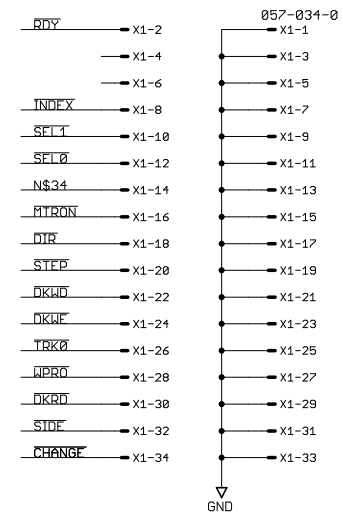
ADDR0..231

DATA0..311



PRELIMINARY

This design accepts PC floppy drives by default
Should also work with Gotek and HxC drives



Floppy and test connectors

Hermes_development
09/03/2016 00:09
Sheet: 7/7